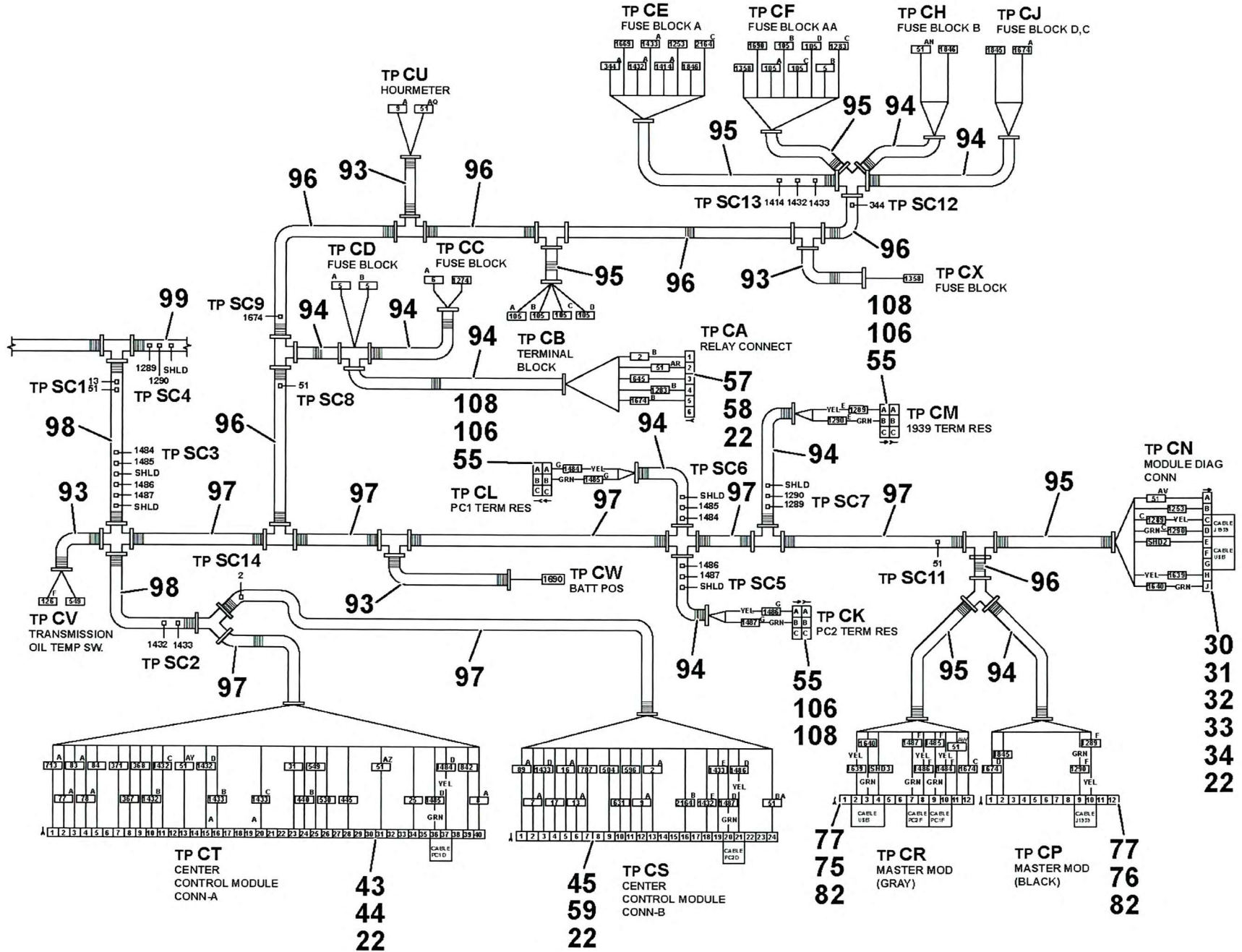
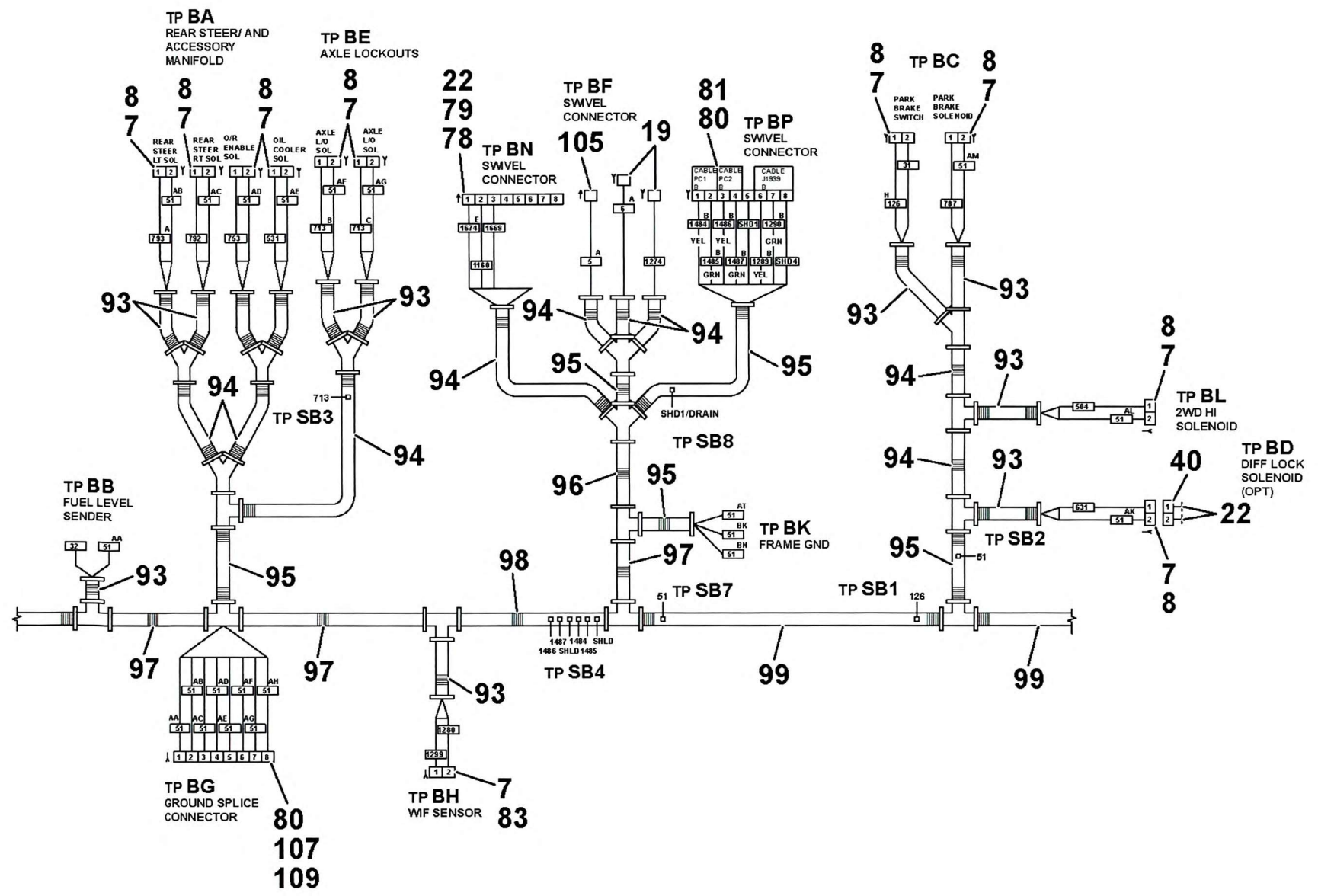


(SHEET 3 OF 13)

Page 476



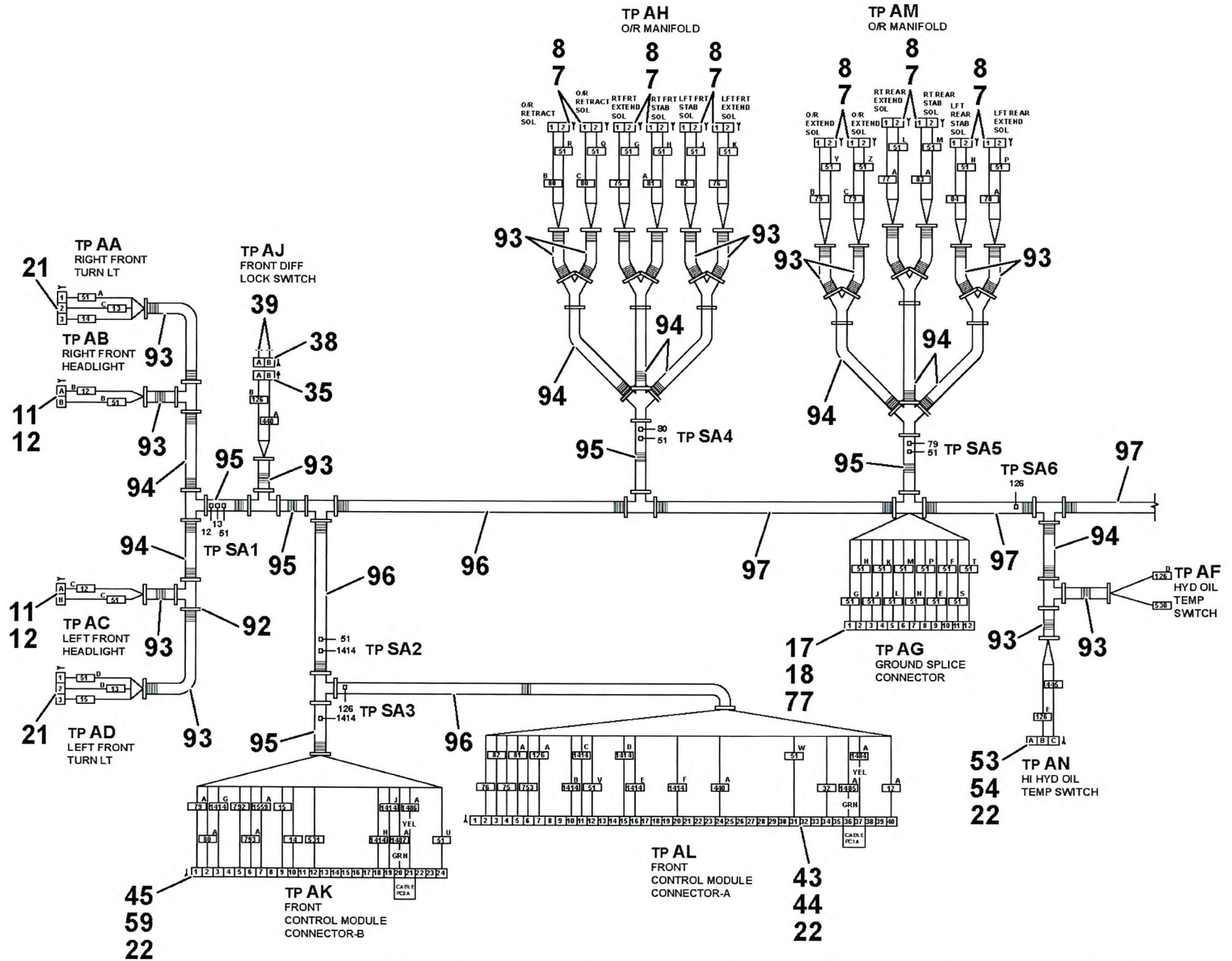


(SHEET 2 OF 13)

Page 477

80037283





ITEM NOT SHOWN NBR 13,14,15,16,20,23,25,26,27,29,36,37,41,42,46, 47,48,49,50,52,60,61,62,63,64,84,85,86,87,88,89